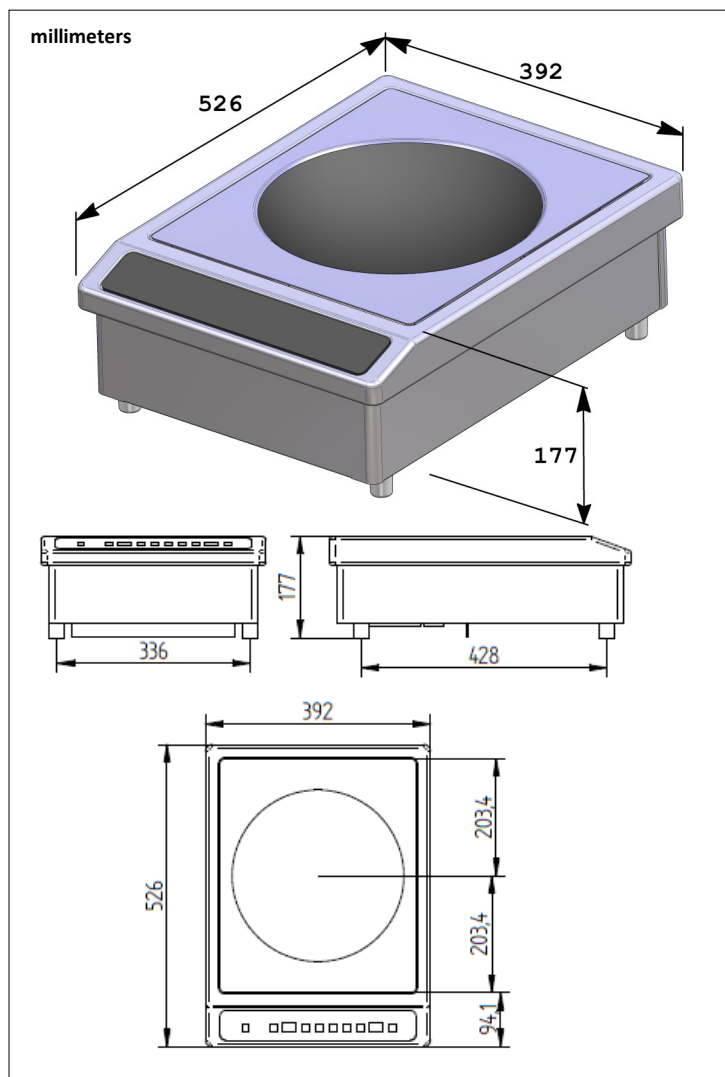


TECHNICAL FEATURES	
External structure	AISI 304 stainless steel
Dimensions	526 x 392 x 177
Power	7000W
Cooking surface	Vitroc ceramic glass.
Control panel	Glass touches
Amp	11A per zone
Functions	On/Off, manual power setting (+/-) with 2 digits display, 3 presets, timer control with 2 digits display
Power supply	400 V AC 50 - 60 Hz
Weight	14,4 kg / 31,7 lbs.
Standards	Complies with European standards for safety of electrical appliances.
Details & Options	Including a power cord without plug and a washable filter (wash regularly). Wok pan included



ADVENTYS
 Route de Pagny - 21250 Seurre - France
 www.adventys.com
 sales@adventys.com
 T: +33 3 80 20 46 15

Important note

Adventys reserves the right to modify specifications without notice.

